

COMPUERTAS DE REGULACION Serie 100 EAD

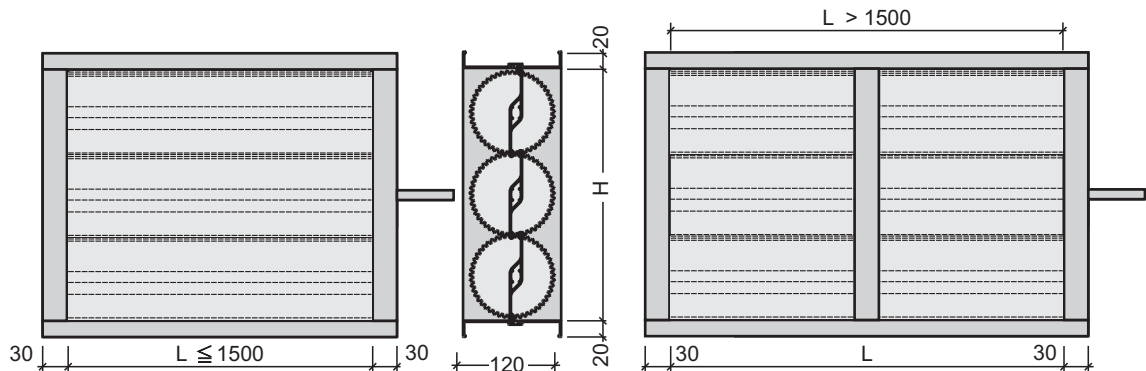


Tabla selección compuertas de regulación para velocidad frontal de 6 m/s.

| H / L | 100 | 200 | 300 | 400 | 500 | 600 | 700 | 800 | 900 | 1.000 |
|-------|-------|-------|-------|--------|--------|--------|--------|--------|--------|--------|
| 110 | 238 | 475 | 713 | 950 | 1.188 | 1.426 | 1.663 | 1.901 | 2.138 | 2.376 |
| 210 | 454 | 907 | 1.361 | 1.814 | 2.268 | 2.722 | 3.175 | 3.629 | 4.082 | 4.536 |
| 310 | 670 | 1.339 | 2.009 | 2.678 | 3.348 | 4.018 | 4.687 | 5.357 | 6.026 | 6.696 |
| 410 | 886 | 1.771 | 2.657 | 3.542 | 4.428 | 5.314 | 6.199 | 7.085 | 7.970 | 8.856 |
| 510 | 1.102 | 2.203 | 3.305 | 4.406 | 5.508 | 6.610 | 7.711 | 8.813 | 9.914 | 11.016 |
| 610 | 1.318 | 2.635 | 3.953 | 5.270 | 6.588 | 7.906 | 9.223 | 10.541 | 11.858 | 13.176 |
| 710 | 1.534 | 3.067 | 4.601 | 6.134 | 7.668 | 9.202 | 10.735 | 12.269 | 13.802 | 15.336 |
| 810 | 1.750 | 3.499 | 5.249 | 6.998 | 8.748 | 10.498 | 12.247 | 13.997 | 15.746 | 17.496 |
| 910 | 1.966 | 3.931 | 5.897 | 7.862 | 9.828 | 11.794 | 13.759 | 15.725 | 17.690 | 19.656 |
| 1.010 | 2.182 | 4.363 | 6.545 | 8.726 | 10.908 | 13.090 | 15.271 | 17.453 | 19.634 | 21.816 |
| 1.110 | 2.398 | 4.795 | 7.193 | 9.590 | 11.988 | 14.386 | 16.783 | 19.181 | 21.578 | 23.976 |
| 1.210 | 2.614 | 5.227 | 7.841 | 10.454 | 13.068 | 15.682 | 18.295 | 20.909 | 23.522 | 26.136 |
| 1.310 | 2.830 | 5.659 | 8.489 | 11.318 | 14.148 | 16.978 | 19.807 | 22.637 | 25.466 | 28.296 |
| 1.410 | 3.046 | 6.091 | 9.137 | 12.182 | 15.228 | 18.274 | 21.319 | 24.365 | 27.410 | 30.456 |
| 1.510 | 3.262 | 6.523 | 9.785 | 13.046 | 16.308 | 19.570 | 22.831 | 26.093 | 29.354 | 32.616 |

| H / L | 1.100 | 1.200 | 1.300 | 1.400 | 1.500 | 1.600 | 1.700 | 1.800 | 1.900 | 2.000 |
|-------|--------|--------|--------|--------|--------|--------|--------|--------|--------|--------|
| 110 | 2.614 | 2.851 | 3.089 | 3.326 | 3.564 | 3.802 | 4.039 | 4.277 | 4.514 | 4.752 |
| 210 | 4.990 | 5.443 | 5.897 | 6.350 | 6.804 | 7.258 | 7.711 | 8.165 | 8.618 | 9.072 |
| 310 | 7.366 | 8.035 | 8.705 | 9.374 | 10.044 | 10.714 | 11.383 | 12.053 | 12.722 | 13.392 |
| 410 | 9.742 | 10.627 | 11.513 | 12.398 | 13.284 | 14.170 | 15.055 | 15.941 | 16.826 | 17.712 |
| 510 | 12.118 | 13.219 | 14.321 | 15.422 | 16.524 | 17.626 | 18.727 | 19.829 | 20.930 | 22.032 |
| 610 | 14.494 | 15.811 | 17.129 | 18.446 | 19.764 | 21.082 | 22.399 | 23.717 | 25.034 | 26.352 |
| 710 | 16.870 | 18.403 | 19.937 | 21.470 | 23.004 | 24.538 | 26.071 | 27.605 | 29.138 | 30.672 |
| 810 | 19.246 | 20.995 | 22.745 | 24.494 | 26.244 | 27.994 | 29.743 | 31.493 | 33.242 | 34.992 |
| 910 | 21.622 | 23.587 | 25.553 | 27.518 | 29.484 | 31.450 | 33.415 | 35.381 | 37.346 | 39.312 |
| 1.010 | 23.998 | 26.179 | 28.361 | 30.542 | 32.724 | 34.906 | 37.087 | 39.269 | 41.450 | 43.632 |
| 1.110 | 26.374 | 28.771 | 31.169 | 33.566 | 35.964 | 38.362 | 40.759 | 43.157 | 45.554 | 47.952 |
| 1.210 | 28.750 | 31.363 | 33.977 | 36.590 | 39.204 | 41.818 | 44.431 | 47.045 | 49.658 | 52.272 |
| 1.310 | 31.126 | 33.955 | 36.785 | 39.614 | 42.444 | 45.274 | 48.103 | 50.933 | 53.762 | 56.592 |
| 1.410 | 33.502 | 36.547 | 39.593 | 42.638 | 45.684 | 48.730 | 51.775 | 54.821 | 57.866 | 60.912 |
| 1.510 | 35.878 | 39.139 | 42.401 | 45.662 | 48.924 | 52.186 | 55.447 | 58.709 | 61.970 | 65.232 |